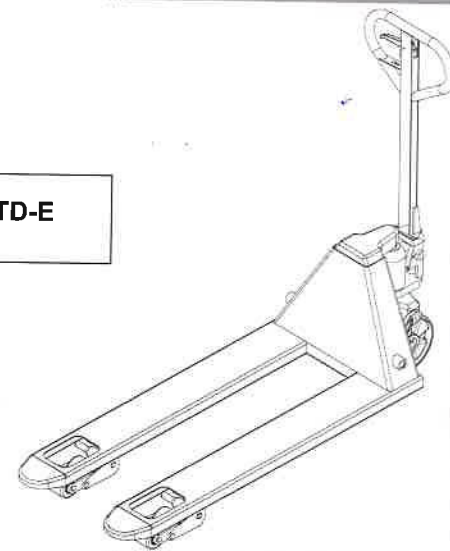


**OPERATING INSTRUCTION HANDBOOK
HAND PALLET TRUCK**

Type: HPTA / HPTC / HPTD / HPTD-E



WARNING

Do not use the truck before reading and understanding these operating instructions.

NOTE:

- Please check the designation of your present type at the last page of this document as well as on the ID-plate.
- Keep for future reference.

Version 10/2014

HPTA / HPTC / HPTD / HPTD-E SMS-001

FOREWORD

Before operating this hand pallet truck, read this ORIGINAL INSTRUCTION HANDBOOK carefully and understand the usage of the hand pallet truck completely. Improper operation could create danger.

This handbook describes the usage of different hand pallet trucks. When operating and servicing the hand pallet truck, make sure, that it applies to your type.

Keep this handbook for future reference. If this or the warning/ caution labels are damaged or got lost, please contact your local dealer for replacement.

Some described functions are optional and therefore not absolutely necessarily equipped with your truck.

ATTENTION:

- Environmentally hazardous waste, such as batteries, oil and electronics, will have a negative effect on the environment, or health, if handled incorrectly.
- The waste packages should be sorted and put into solid dustbins according to the materials and be collected disposal by local special environment protection bureau. To avoid pollution, it's forbidden to throw away the waste randomly.
- To avoid pollution during the use of the products, the user should prepare some absorbable materials (scraps of wooden or dry duster cloth) to absorb leaking oil in time. To avoid second pollution to the environment, the used absorbable materials should be handed in to special departments in terms of local authorities.
- Our products are subject to ongoing developments. Because this handbook is only for the purpose of operating /servicing the hand pallet truck, therefore please have understanding, that there is no guarantee out of particular features out of this handbook.

 **NOTE: On this manual, the left sign means warning and danger, which can lead to death or serious injury if not followed.**

Copyright

The copyright remains with the company, mentioned on the CE-certificate at the end of this document.

TABLE OF CONTENTS


1. CORRECT APPLICATION.....	3
2. DESCRIPTION OF THE HAND PALLET TRUCK.....	3
a. Main components, Safety devices, Warning labels.....	3
b. Main technical data.....	4
c. Description of the safety devices and warning labels.....	5
d. Identification plate.....	5
3. WARNINGS AND SAFETY INSTRUCTIONS.....	6
4. COMMISSIONING, TRANSPORTING, STORAGE / REASSEMBLING.....	6
a. Commissioning – Tiller assembling: for Type HPTA.....	6
b. Commissioning – Tiller assembling: for Type HPTC and HPTD.....	7
c. Hydraulic valve adjustment.....	8
d. Foot brake (Optional for some models).....	9
e. Progressive- drive- and parking brake (optional for some models).....	9
f. Transporting.....	9
g. Storage/ Reassembling.....	9
5. DAILY INSPECTION.....	10
6. OPERATING INSTRUCTIONS.....	10
a. Parking.....	10
b. Lifting.....	10
c. Lowering.....	11
d. Moving.....	11
e. Parking-/ Footbrake (optional for some models).....	11
f. Progressive drive- and parking brake (optional for some models).....	11
g. Quick Lift (optional for some models).....	11
h. Malfunctions.....	11
7. REGULAR MAINTENANCE.....	12
a. Maintenance.....	12
b. Deaeration of the hydraulic system.....	12
c. Adding hydraulic oil to the pump reservoir.....	12
8. TROUBLE SHOOTING.....	13
9. HYDRAULIC CIRCUIT.....	13

1. CORRECT APPLICATION

It is only allowed to use this hand pallet truck according to this instruction handbook.

This truck is a manually operated hand pallet truck designed to lift and transport the rated load on industrial pallets. Do not lift or carry person and don't use this truck for other purpose than its intended use. A wrong usage can cause human injuries or can damage equipment.

The operator/ the operating company has to ensure the correct usage and has to ensure, that this truck is used only by staff, which is trained and authorized to use this truck.

 The truck has to be used on substantially firm, smooth, level and prepared surfaces. Driving with the load on slopes is not allowed. The load must be placed approximately on the longitudinal centre plane of the table and must be in satisfactory condition.

The capacity is marked on the identification plate and depending on the version eventually additionally on the capacity sticker. The operator has to consider the warnings and safety instructions.

The hand pallet truck is intended to be used for indoor applications with ambient temperatures between +5°C and + 40°C.

Operating lighting must be minimum 50 Lux.

Modification

No modifications or alterations to this hand pallet truck which may affect, for example, capacity, stability or safety requirements of the truck, shall be made without the prior written approval of the original truck manufacturer, its authorized representative, or a successor thereof. This includes changes affecting, for example braking, steering, visibility and the addition of removable attachments. When the manufacturer or its successor approve a modification or alteration, they shall also make and approve appropriate changes to capacity plate, decals, tags and operation and maintenance handbooks. By not observing these instructions, the warranty becomes void.

2. DESCRIPTION OF THE HAND PALLET TRUCK

a. Main components, Safety devices, Warning labels

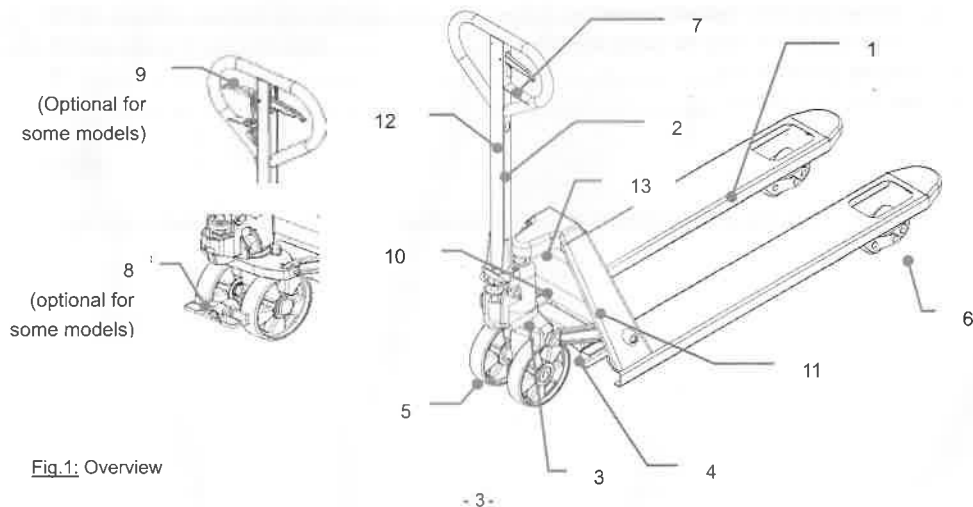


Fig.1: Overview

- | | |
|--------------------------------|--|
| 1 Chassis | 8 Parking-/ Footbrake (Option) |
| 2 Tiller arm | 9 Progressive parking and drive brake, lever with drum brake(Optional) |
| 3 Hydraulic pump | 10 Identification plate (ID-plate) |
| 4 Lifting mechanism | 11 Company logo and/or capacity sticker |
| 5 Steering(Front-) wheels | 12 Lifting function instruction sticker |
| 6 Load wheels (single/ tandem) | 13 Eventually capacity sticker |
| 7 Lever | |

b. Main technical data

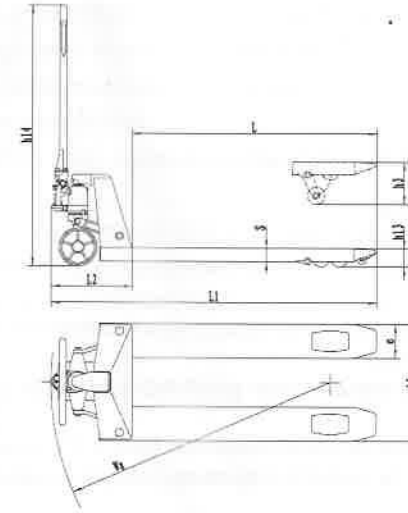


Fig. 2: Technical data

Table 1: Main Technical data for standard version/ other version on request

Type		HPTA	HPTC	HPTD	HPTD-E
Load capacity	Q(t)	2.0 / 2.5 /3.0	2.0 / 2.5 /3.0	2.0 / 2.5 /3.0	2.0 / 2.5
Service weight	kg	70 / 72 / 76	68 / 70 / 74	67 / 69 / 73	65 / 67
Tyre size, front	mm	Ø200x50			Ø180x50
Tyre size, rear (single/ tandem)	mm	Ø80x93 / Ø80x70			
Wheels nr. front, rear		2/2 or 2/4			
Height of tiller	h14 (mm)	1230	1230	1230	
Height, lowered	h13(mm)	85			
Lift	h3(mm)	115			
Overall length	L1(mm)	1555			
Fork dimensions	s/e/L (mm)	160/48/1150 ¹⁾			
Distance betw. forks	b5(mm)	520 / 540			

The noise level is less than 70dB.

1) L= 800/ 900/ 1000/ 1100/ 1220 mm optional

c. Description of the safety devices and warning labels

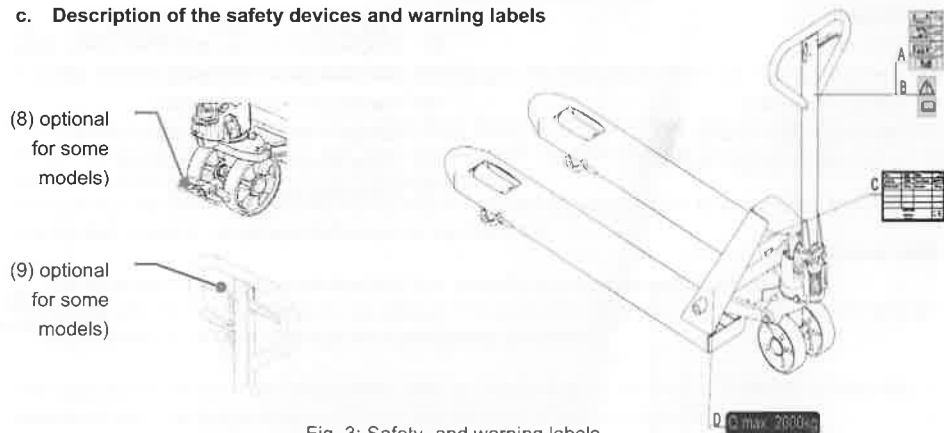


Fig. 3: Safety- and warning labels

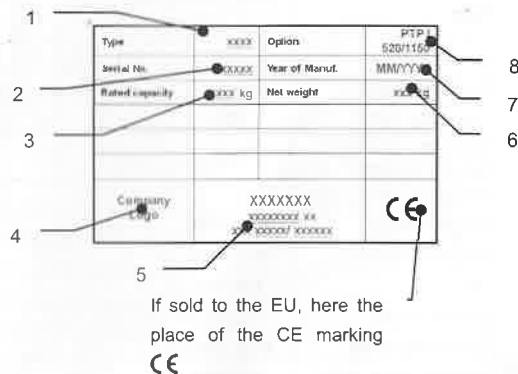
- A. Operating instruction sticker
- B. Sticker to read this instruction
- C. Identification plate (ID- plate)
- D. Capacity sticker
(both sides/ sample, for illustration only, capacity might be different for your type)
- (8) Parking-/ Footbrake (Option)
- (9) Progressive parking and drive brake, lever with drum brake(Optional)

The safety and warning labels should be placed according to figure 3. The advices on the truck are additional to this handbook. Please follow the operating instructions. If the decals are damaged or missing, please replace them.

Your truck might be optional equipped with a parking brake or with a progressive parking and drive brake. How to use this kind of brakes is described in chapter 6.

d. Identification plate

- 1 Designation, type
- 2 Serial number
- 3 Rated capacity
- 4 Eventually company logo
- 5 Name and address of the manufacturer
- 6 Net weight
- 7 Manufacturing date
- 8 Option, Wheel combination, fork length, width over the forks



If sold to the EU, here the place of the CE marking
CE

Fig. 4: ID-Plate

3. WARNINGS AND SAFETY INSTRUCTIONS

! DO NOT

- Allow other person then the operator to stand in front of or behind the truck when it is moving or lifting/lowering.
- Overload the truck.
- Put foot in front of rolling wheel, Injury could result.
- Use the truck on a slope or inclined surface, the truck may become uncontrollable and create danger.
- Lift or carry people. People could fall down and suffer severe injury.
- Use truck with unstable, unbalanced loosely stacked load.
- Use the truck in explosive atmospheres.

Watch difference in floor levels when moving the truck. Load could fall down or the truck could get uncontrollable.

Keep watching the condition of load. Stop operating table if load becomes unstable.

Practice maintenance work according to regular Inspection.

This truck is not designed to be water resistant, therefore use it in dry atmospheres.

4. COMMISSIONING, TRANSPORTING, STORAGE / REASSEMBLING

a. Commissioning – Tiller assembling: for Type HPTA

After receiving our new hand pallet truck you may have to do following before firstly operating the truck:

- Check if are all parts included and not damaged
- Do the work according to the daily inspections as well as functional checks.
- Eventually assemble the truck according to following instructions.

The commissioning weight is approximately. 10kg / six- pack higher than the product weight. Before assembling, please make sure, that the following supplied parts are included and not damaged:

- 1 pc axle with hole (4)
- 2 pc dowel pin (5) [one is already assembled with the axle]
- 1 pc pre- assembled tiller arm (1)
- 1 pc pre- assembled chassis with pump unit (6)

Note: The marked number on the tiller arm package and the chassis should be the same.

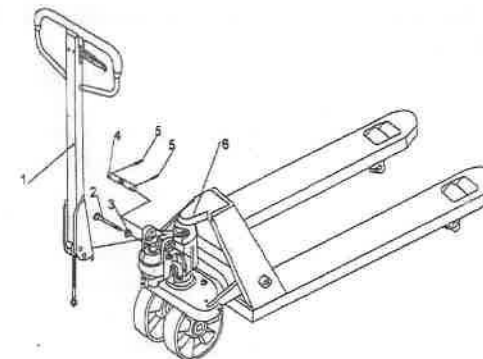


Fig.5 Tiller assembling
(1.Tillerarm / 2.Pin / 3.Nut / 4.Axle with hole / 5.Dowel pin / 6.Chassis with pump unit)

When attaching the handle, you had better squat just in front of the pallet truck.

- a) Insert the tiller arm(1) into the pump piston, then use a hammer to insert the axle with hole into the hydraulic pump and tiller arm (Fig. 6).
- b) Set the control lever of the handle to the 'LOWER' position, then pass the adjusting nut, adjusting bolt through the hole of the axle with your hand (Fig. 7).
- c) Press the tiller arm down; take away the pin (2, Fig. 5).
- d) Set the control lever of the handle to 'RAISE' position, then raise the lever plate with the pin (2, Fig. 5) and insert the adjusting bolt into the front slot of lever plate. **Note:** Keep the adjusting nut under the lever plate.
- e) Use a hammer to insert the 2nd dowel pin (5, Fig. 5) into the 2nd hole of the axle. The draw-bar is now assembled to the pump.



Fig. 6: Axle assembling

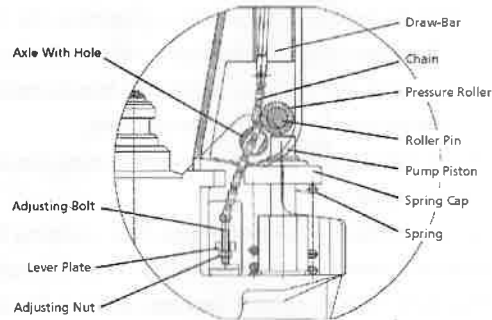


Fig. 7: Side view

b. Commissioning – Tiller assembling: for Type HPTC and HPTD

After receiving our new hand pallet truck you may have to do following before firstly operating the table:

- Check if are all parts included and not damaged
- Do the work according to the daily inspections as well as functional checks.
- Eventually assemble the truck according to following instructions.

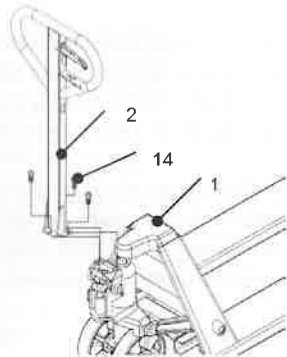


Fig.8 Tiller assembling
(1. Chassis with pump unit/ 2. Tiller arm / 14.

The commissioning weight is approximately 10kg / six- pack higher than the product weight.

Before assembling, please make sure, that the following supplied parts are included and not damaged:

- 1 pc tiller arm (2)
- 3 pc screws (14, fixed to the tiller interface of the chassis)
- 1 pc pre-assembled chassis with pump unit (1)

Note: The marked number on the tiller arm package and the chassis should be the same.

When attaching the handle, you had better squat just in front of the pallet truck.

- a) Remove the 3 screws (14) form chassis tiller arm interface.
- b) Take the tiller arm with the correct direction and insert the chain through the hole of the axle (15).
- c) Assemble the tiller arm to the chassis by fixing the 3 screws (14).
- d) Set the control lever of the handle to 'RAISE' position, then raise the lever plate with a screw driver and insert the adjusting bolt into the front slot of lever plate. **Note:** Keep the adjusting nut under the lever plate.

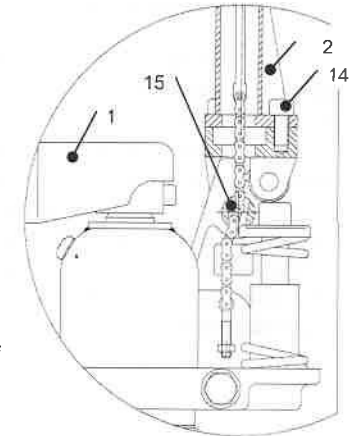


Fig. 9: Side view of tiller assembling

The draw-bar is now assembled to the pump.

c. Hydraulic valve adjustment

On the tiller of your pallet truck, you will find the control lever, which can be regulated in three positions:

Lower — handle up, the lever moves back to the neutral, when released

Neutral — handle in center position

Raise — handle down

If necessary, you can adjust the lever according to following steps (fig. 10):

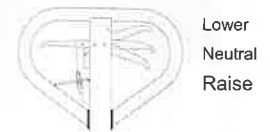


Fig. 10: Lever

- a) If the forks elevate while pumping in the **Neutral** position, turn the adjusting nut on the adjusting bolt clockwise until pumping action does not raise the forks and the **Neutral** position works properly.
- b) If the forks descend while pumping in the **Neutral** position, turn the adjusting nut counter-clockwise until the forks do not lower.
- c) If the forks do not descent when the control handle is in the **Lower** position, turn the adjusting nut clockwise until raising the control handle lowers the forks. Then check the **Neutral** position according to fig. 10 and be sure that the adjusting nut is in the proper position.
- d) If the forks do not elevate while pumping in the **Raise** position, turn the adjusting nut counter-clockwise until the forks elevate while pumping in the **Raise** position. Then check the **Lower** and **Neutral** position.

d. Foot brake (Optional for some models)

If the truck is ordered with a foot brake, please follow the next instructions. The foot brake might be already assembled with the truck.

- Remove the steering wheel (310).
- Put the Holding sleeve (341) in the under parts of pump body (322), and take off the parts from (310) one by one. Fasten the bolt (340) in the fixed hole.
- Install spring (342), brake plate (344), foot pedal (345) and (spring) washer (346) on the fixed seat (341) one by one. Then screw the locknut (347) on the fixed seat (341).
- Install the grease nipple (343).

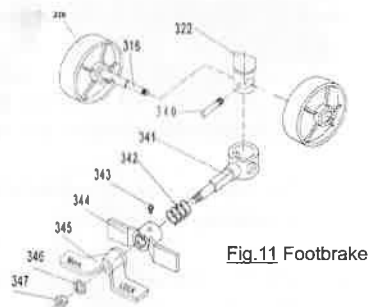


Fig.11 Footbrake

e. Progressive- drive- and parking brake (optional for some models)

If the truck is equipped with the progressive drive and parking brake, the braking lever as well as the bowden cable already assembled to the tiller arm.

- Turn the pump 90 degree to right side, then pass through the brake cable behind the thrust plate.(Fig.12)
- Put the head of the brake cable into the groove of the hinge pin.
- Then tug the brake cable, let the head of the outer sleeve of the cable into the hole of the holding pin.



Fig.12: Progressive drive and parking brake

f. Transporting

For transporting, remove the load, lower the truck to the lowest position and lash it safe with dedicated lashing straps.

g. Storage/ Reassembling

For storage, remove the load, lower the truck to the lowest position, grease all in this handbook mentioned greasing points (regularly inspection) and eventually protect the truck against corrosion and dust. Jack the truck safety, so that there will be no flattening after storage. Reassemble the tiller in the opposite direction of the assembling.

5. DAILY INSPECTION

This chapter describes pre-shift checks before putting the truck into operation.

Daily inspection is effective to find the malfunction or fault on the truck and can maximize the lifetime.

Check the truck on the following points before operation.

Remove load from truck and lower the forks to the lowest position.

Do not use the truck if any malfunction or fault is found.

- Visually check for structural deformation or cracks of arms, forks, or any other component; and unusual noise or binding of the lifting mechanism.
- Check if there is any oil leakage.
- Check the vertical creep of the lifting mechanism.
- Check the smooth movement of the wheels.
- Check if there are any particles or damages on the wheels.
- Check if all the bolts and nuts are tightened firmly.
- If equipped, check the brake.
- Verify that all labels are in place.

6. OPERATING INSTRUCTIONS

- When operating the truck, the operator has to wear safety shoes.
- The truck is intended to be used for indoor applications with ambient temperatures between +5°C and +40°C.
- The operating lighting must be minimum 50 Lux.
- It is not allowed to use the truck on angled surfaces.
- Never leave a loaded pallet truck unattended.

a. Parking

Lower the forks to the lowest position and park the Hand pallet truck on a smooth and even level ground where the truck not disturbs any other operations.If equipped with a brake use the brake for parking the truck acc. to the description further below.

b. Lifting

Check that the load does not exceed the loading capacity of the pallet truck. Roll the pallet truck with its forks slowly under the pallet/load until the back end of the fork rests against the load (Fig.13).Shift the operating lever down to the Lifting position. Lift the load by up-and down movements of the tillerarm.

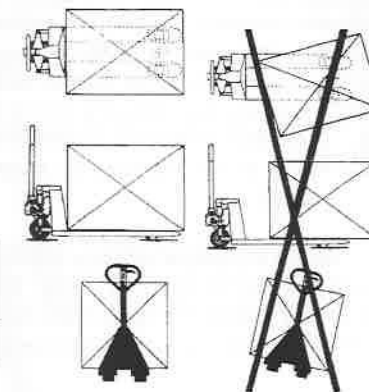
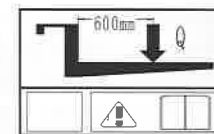


Fig.13: Load conditions

The load must be evenly distributed across both forks.
DO NOT OVERLOAD THE TRUCK!

c. Lowering

Do not put foot or hand under the lifting mechanism.



Lower the load by shift the operating lever up to the lowering position carefully. By releasing the lever, the lowering movement will stop.

Ensure there is adequate clearance behind, then move the pallet truck away.

d. Moving



- Do not operate the truck on a slope or inclined surface.
- Watch difference of floor level when moving lifter. Load could fall down
- Make the load stable to prevent it from falling down.
- The truck might be not equipped with a brake. In this case the braking distance is longer and depends on the operator.

If equipped, release the brake.

Move the truck by pushing or pulling the tiller arm.

The tiller arm is connected to the steering rollers. The wheels are steered automatically by moving or steering the tiller arm.

e. Parking-/ Footbrake (optional for some models)

Follow these instructions, if a parking-/footbrake is equipped with the truck (fig. 1, pos. 8).

To apply the brake step on the "LOCK" side of the Brake plate (fig. 11, pos.345) until its angle is 45°. To release the brake step on the "MOVE" side of the Brake plate (fig. 11, pos.345) until it is in horizontal position.

f. Progressive drive- and parking brake (optional for some models)

Follow these instructions, if a progressive drive- and parking brake is equipped with the truck (fig. 1, pos. 9). By pulling the lever of the progressive parking and foot brake, the truck will brake smoothly to the desired adjustment. To park the truck, after fully pulling the lever, the small latch on the braking lever must be moved to the right, then the operator can release the lever. By start operating, the truck, pull the lever and then swing the latch to the left side, then release the lever.



Depending on the load conditions the braking behavior is changing. Please do not overstress the brake, it could generate loss in braking capacity.

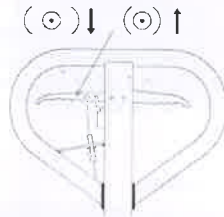


Fig. 14: Lever drive- and parking brake

g. Quick Lift (optional for some models)

When the load is less than 120kg, the pallet truck has the quick-lifting function. It is about 5 times pumping to lift truck from the min. height to max. height. When the load is more than 120kg, the pumping function will begin automatically to switch to a normal lifting speed.

h. Malfunctions

If there are any malfunctions or the truck is inoperative, please stop using it, place the truck at a safe place. Avoid further usage.

Inform immediately the manager and, or call your service.

7. REGULAR MAINTENANCE



- Only qualified and trained personnel are allowed to do service on this truck.
- Before servicing the truck, remove the load and lower the forks to the lowest position.
- Completely immobilize pallet truck before working on components that might pinch fingers or hands if movement were allowed.
- Use approved and from your dealer released original spare parts.
- Please consider that oil leakage of hydraulic fluid can cause failures and accidents.
- It is allowed to adjust the pressure valve only from trained service technicians.
- Waste material like oil, used batteries or other must be probably disposed and recycled according to the national regulations and if necessary brought to a recycling company.
- All bushings and bearings have been lubricated at the factory. To increase their life, regular maintenance is recommended. Using the appropriate grease for the application and lubricate each grease fitting every 6 months.
- Harsh environments may require more frequent maintenance.

If you need to change the wheels, please follow the instructions above. The wheels must be round and they should have no abnormal abrasion.

a. Maintenance

DAILY

- Follow chapter 5.

MONTHLY

- Check hydraulic oil level (more frequently for high use applications).
- All bearings and shafts are provided with long-life grease at the factory. Long-life grease should be applied to the lubrication points at monthly intervals or after each time the truck is cleaned. Clean off dirt and debris

EVERY SIX MONTH

- Change oil (more frequently if color has substantially darkened or feels gritty). The required hydraulic fluid type is ISO VG32, its viscosity should be 30cSt at 40°C, total volume is about 0.3 l.
NOTE: If hydraulic oil is milky white in color, water is in the hydraulic system. Change the hydraulic oil immediately.



Before starting operating the truck, ensure that all markings and decals are on the right place and not damaged (acc. to fig. 3). If necessary replace the decals.

b. Deaeration of the hydraulic system

Air may find its way into the pump during transportation, tilting or usage on uneven ground. It can result in not elevating forks whilst pumping in the **Raise** position. The air can be removed in the following way: Move the control handle to the **Lower** position, then move the tiller down several times. Thereafter normal operation can be resumed.

c. Adding hydraulic oil to the pump reservoir

- Ensure forks are in lowered position.
- Lay pallet truck on either side. Position drain plug of hydraulic cylinder up.
- Remove the screw plug.
- Add hydraulic oil until level of oil is at bottom of hole.
- Replace drain plug, upright the truck

8. TROUBLE SHOOTING



If the truck has malfunctions follow the instructions, mentioned under chapter 7.

Table 2: Trouble shooting

No.	Symptom	Possible Causes	Corrective action
1	Forks don't raise, don't raise fully, or raise slowly	a) Low hydraulic fluid level or impurities in oil. b) Control lever is out of adjustment. c) Load is too heavy. Overload release valve is being activated. d) Temperature is too low and the hydraulic oil has become too thick. e) Air in the hydraulic oil.	a) Add approved hydraulic fluid or change oil as noted in chapter 7. b) Follow the procedure for adjusting the control lever in chapter 4. c) Reduce load. d) Move truck to a warmer location. e) Deaerate the hydraulic pump. (see chapter 7)
2	Forks don't lower or don't lower fully	a) Obstacle located under truck, in fork mechanism, etc. b) Control lever is out of adjustment. c) Fork was left in a raised position for an extended time causing exposed piston rod to rust. d) The piston rod or pump is deformed due to over-loading or uneven loading.	a) Use caution removing the obstacle. b) Follow the procedure for adjusting the control lever in chapter 4 c) Keep fork in the lowest position when not in use and keep piston rod well lubricated d) Replace the piston rod or pump
3	Forks lower without putting the control lever in the "lower" position	a) Oil impurities are preventing the release valve from fully closing. b) Some hydraulic components or seals are cracked or worn. c) Control lever is out of adjustment.	a) Drain and replace hydraulic fluid with approved fluid as noted in chapter 7. b) Inspect and replace components as needed. c) Follow the procedure for adjusting the control lever in chapter 4
4	Oil leakage	a) Worn or damaged seals b) Other cracked or worn parts	a) Replace seals b) Replace damaged parts

9. HYDRAULIC CIRCUIT

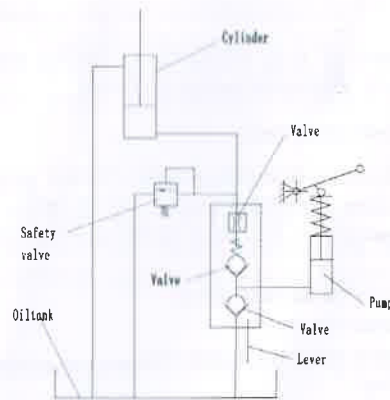


Fig.12: Hydraulic diagram

[GB] CE Declaration of Conformity

The signatory hereby declares that the industrial truck described below in detail complies with the European Directive 2006/42/EC (Machinery Directive) including amendments as well as the legislative decree to incorporate the directives in national law. The signatory is individually authorized to compile the technical documents.

[D] EG-KONFORMITÄTSERKLÄRUNG

Der Unterzeichner bescheinigt hiermit, dass das im Einzelnen bezeichnete Flurförderzeug den Europäischen Richtlinien 2006/42/EG (Maschinenrichtlinie) einschließlich deren Änderungen sowie dem entsprechenden Rechtsverlaß zur Umsetzung der Richtlinien in nationales Recht entspricht. Der Unterzeichner ist bevollmächtigt, die technischen Unterlagen zusammenzustellen.

[E] DECLARACIÓN DE CONFORMIDAD CE

El signatario certifica por medio de la presente que la carretilla industrial descrita en esta documentación cumple con la Directiva Europea 2006/42/CE (Directiva de máquinas), incluyendo sus respectivas modificaciones, así como con los Reales Decretos de transposición de la directiva al derecho nacional. El signatario dispone de una autorización individual que le permite compilar la documentación técnica.

[F] DECLARATION DE CONFORMITE CE

Les signataires certifient par la présente que les chariots désignés individuellement satisfont aux directives européennes 2006/42/CE (directive machine), y compris leurs modifications ainsi que les décrets légaux concernant la mise en oeuvre des directives dans le droit national. Les signataires sont respectivement et individuellement autorisés à regrouper les documents techniques.

[NL] EG-CONFORMITEITSVERKLARING

De ondertekenaars verklaren hiermee, dat de hieronder genoemde interne transportmiddelen voldoen aan de Europese richtlijnen 2006/42/EG (Machinesrichtlijn), inclusief de wijzigingen en wetgeving voor de omzetting van de richtlijnen in nationaal recht. Ondergetekenden zijn ieder individueel gemachtigd het technisch dossier samen te stellen.

[P] DECLARAÇÃO DE CONFORMIDADE CE

Os signatários vêm por este meio certificar que os veículos industriais descritos em pormenor cumprem as diretivas europeias 2006/42/CE (directiva relativa a máquinas) incluindo as suas alterações e o respectivo documento legal com vista ao cumprimento das diretivas no enquadramento legal nacional. Os signatários estão individualmente autorizados a compilar os documentos técnicos.

[I] DICHIARAZIONE DI CONFORMITÀ CE

Con la presente i firmatari attestano che il veicolo per movimentazione interna è conforme alla direttiva europea 2006/42/CE (Direttiva Macchine), comprese le relative modifiche, nonché al documento legale per la trasposizione di tali direttive nel diritto nazionale. I sottoscritti sono singolarmente autorizzati alla creazione della documentazione tecnica.

[BG] ЕВРОПЕЙСКА ОБЩНОСТ - ДЕКЛАРАЦИЯ ЗА СЪОТВЕТСТВИЕ

С настоящото подписаните удостоверяват, че специфицираното тук моторно подземно-транспортно средство отговаря на Европейските директиви 2006/42/ЕО (Директива за машините), включително на техните изменения, както и на съответното постановление за прилагане на директивите в националното право. Подписаните са съответно упълномощени поотделно да съставят техническата документация.

[CZ] EG - PROHLÁŠENÍ O SHODĚ

Niže podepsaní limito potvrzují, že podrobný popis vozidla s motorovým pohonem odpovídá Evropským směrnici 2006/42/EC (směrnice pro strojní zařízení) včetně jejich pozdějších úprav, jakož i příslušným právním výnosům pro uplatnění příslušné směrnice v rámci národního práva. Každý z podepsaných je jednotlivě způsobilý k vytvoření technického podkladu.

[DK] EF-OVERENSSTEMMELSEERKLÆRING

Undertegnede erklærer hermed, at følgende truck overholder de væsentligste krav i Rådets direktiv 2006/42/EF (Maskindirektivet) om indbyrdes tilnærmelse af medlemsstaternes lovgivning. Alle undertegnede har fuldmagt til selvstændigt at sammensætte det tekniske materiale.

[EST] EL vastavusavaldus

Nastоящим лица, подписавшие документ, удостоверяют, что названное подъёмно-транспортное средство с силовым приводом и указанной спецификацией соответствует Европейским директивам 2006/42/EG (Директива по машинам), включая изменения в них, и также соответствующему национальному документу по трансформации директив в национальное право. Каждое по отдельности лицо, подписавшее документ, имеет полномочия для составления технической документации.

[FIN] EU-YHDENMUKAISUSSELÖSTYS

Allekirjoittavat todistavat täten, että yksilöity moottoriajoneuvo vastaa eurooppalaista direktiiviä 2006/42/EY (konedirektiivi) kaikkina muutoksineen sekä säädöksinä, jolla direktiivi on saatettu osaksi kansallista lainsäädäntöä. Allekirjoittajilla on kullakin erikseen valtuudet laatia teknisiä dokumentteja.

[GR] ΔΗΛΩΣΗ ΣΥΜΜΟΡΦΩΣΗΣ ΕΟΚ

Ο υπογράφωντες βεβαιώνουν ότι η, παρούσα όη ο λεπτομερώς περιγραφόμενος μηχανοκίνητος φορέας διαδρόμου συμμορφώνεται προς την Κοινοτική Οδηγία 2006/42/ΕΚ («Μηχανές»), συμπεριλαμβανομένων των τροποποιήσεων, καθώς και των νομοθετικών διαταγμάτων για τη μεταφορά Οδηγίων στην εθνική νομοθεσία. Οι υπογράφοντες είναι σε κάθε περίπτωση εξουσιοδοτημένοι ατομικά να καταρτίσουν τα τεχνικά έγγραφα.

[H] EU KONFORMITÁSI NYILATKOZAT

Alulírottak ezenmel igazolják, hogy a részletesen leírt, gépi meghajtású önjáró targonca megfelel a 2006/42/EK (Gép Irányelv) Európai Irányelvnek, beleértve azok módosításait, valamint az irányelvek nemzeti jogba történő átültetésére irányuló, megfelelő jogi rendelkezést. Továbbá az alulírottak mindenképp rendelkeznek meghatalmazással arra nézve, hogy összeállíthatja a műszaki dokumentációt.

[LT] ES atitikimo deklaracija

Zemiai pasiraše asmens patvirtina, kad atskirai aprašytas elektra varomas pramoninis vežimėlis atitinka Europos Sąjungos direktyvą 2006/42/EB (Mašinų direktyva), įskaitant ir jos pakeitimus bei tai atitinkančią teisės aktų dėl direktyvų įgyvendinimo nacionaliniuose teisės aktuose. Pasiraše asmens yra atskirai atitinkamai įgalioti sudaryti techninius dokumentus.

[LV] ES atbilstības deklarācija

Ar šo zemāk parakstījušās personas apliecinā, ka detalizēti aprakstītais mehāniskās piedziņas iekārtvejs atbilst Eiropas Savienības direktīvam 2006/42/EK (Mašīnu direktīva), ieskaitot to izmaiņas, kā arī atbilstošo tiesisko rīkojumu direktīvu pielāgošanai nacionālajai likumdošanai. Parakstījušās personas ir atsevišķi pilnvarotie sastādīt tehniskās dokumentācijas dokumentācijas.

[N] EU-KONFORMITETSERKLÆRING

Undertegnede bekræfter hermed at de enkelte betegnede gaffeltruckene med kraftdrift overensstemmer med de europæiske retningslinjerne 2006/42/EC (maskineringslinje) med endringer, samt den tilsvarende rettsforordning til implementering i nasjonal lovgivning. De undertegnede er hver for seg bemyndiget til å sammenstille de tekniske dokumentene.

[PL] DEKLARACJA ZGODNOŚCI Z NORMAMI UE

Sygnatariusze potwierdzają niniejszym, że wyszczególniony wózek jezdniowy z napędem odpowiada dyrektywie europejskiej 2006/42/WE (Dyrektywa maszynowa) wraz ze zmianami oraz rozporządzeniem prawnym dotyczącym wdrożenia dyrektywy do prawa krajowego. Każdy z sygnatariuszy jest upoważniony do samodzielnego zestawienia dokumentacji technicznej.