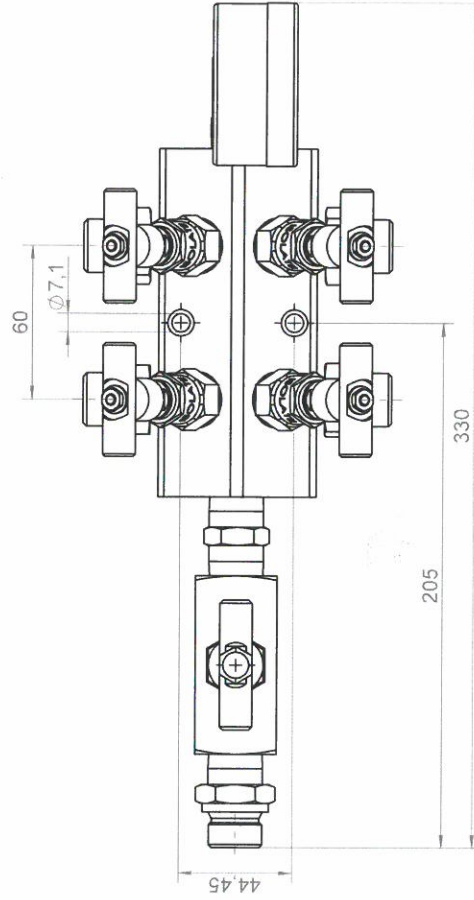
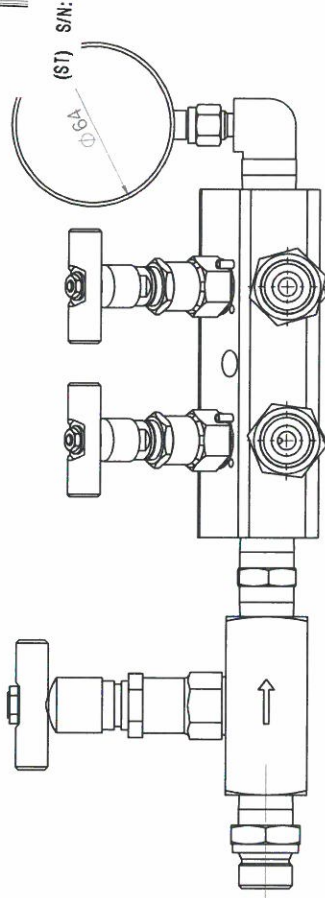


Manometer 0-250 bar, drehbar



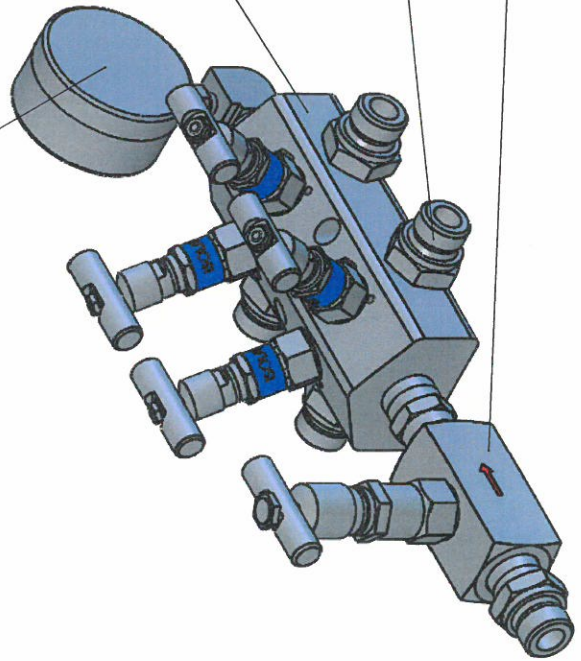
Ventilblock Serie JS4N2NAT-4

Material:
Körper: ASTM A479 316/316L
Spindel: ASTM A564 S17400
Dichtung: PTFE
max. Arbeitsdruck: 413 bar
max. Temperatur: 204°C

Alle Anschlüsse 1/2"
zyl. Außengewinde
ISO 228/1

Nadelventil Serie SS-8GUF8

Material:
Körper: ASTM A479 316/316L
Spindel: ASTM A564 S17400
Dichtung: PTFE
max. Arbeitsdruck: 413 bar
max. Temperatur: 204°C



B.E.S.T. Fluidsysteme GmbH
Leipzig
Gewerbestr. 8
04420 Markranstädt OT Frankenheim
Telefon +49 (341) 94 54 71-0
Fax +49 (341) 94 54 71-10
www.swagelok.de
info@leipzig.swagelok.com
Allgemeintoleranzen nach
DIN ISO 2768 - m

Maßstab: 1:2
Gewicht: 5.21 [kg]
Oberfläche:

Benennung:
Fluidverteiler Baugruppe - Ausgang 4 Ventile
Eingang mit Ventil
Artikel-Nr.:
LEIPZ-F-00000000838-1

A-02	Korr. Manometer, Beschriftung, Bemaßung	26.11.2014	P. Westphal
A-01	Konzept	18.11.2014	P. Westphal
Index	Änderung	Datum	Name

Werkstoff:	
Halbzeug:	
Länge:	Breite:
Benennung: Fluidverteiler Baugruppe - Ausgang 4 Ventile	
Eingang mit Ventil	
Artikel-Nr.:	LEIPZ-F-00000000838-1
Blatt von 2	SW
Erstf.	A3

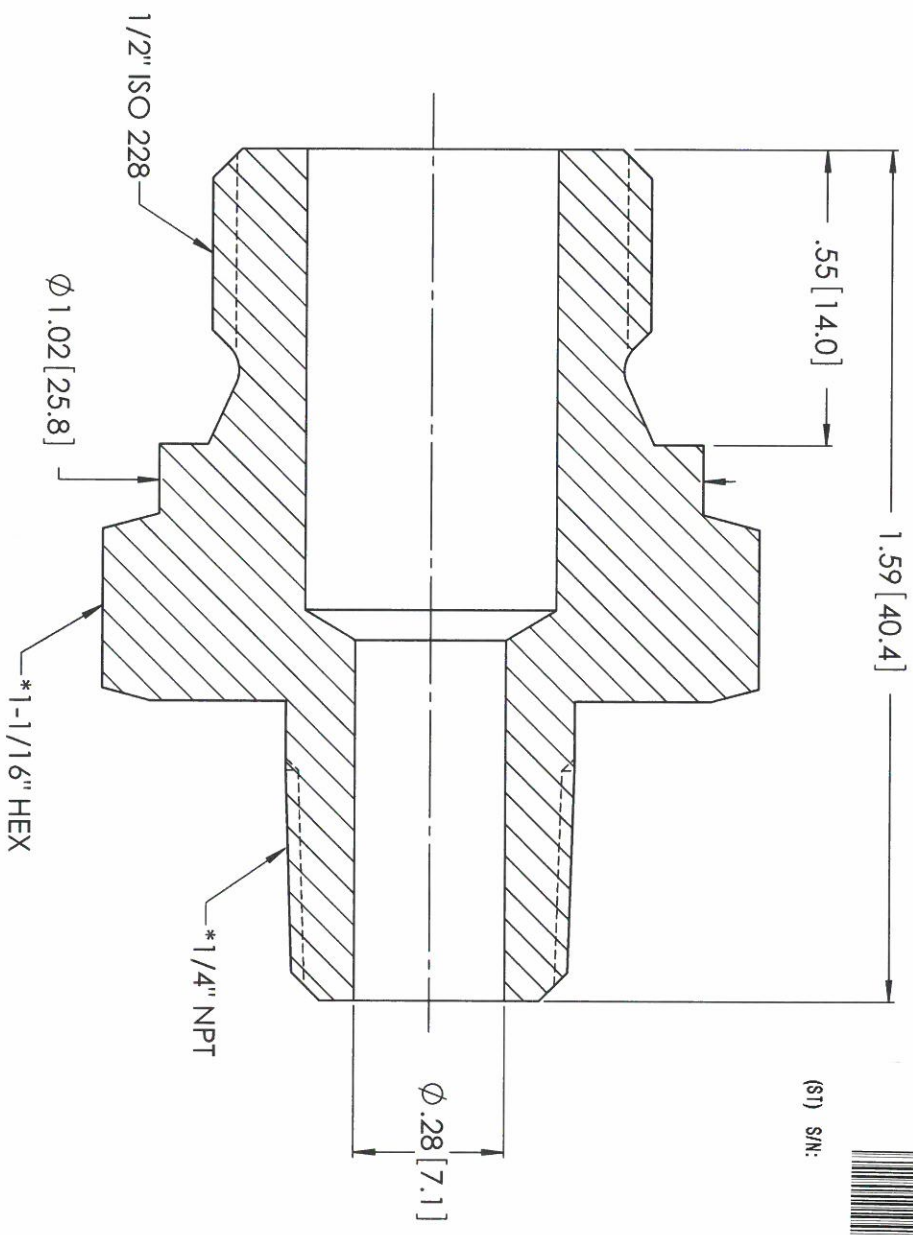
PART NO. SS-8-HRNS-4

361195/0009
Druckstock PN200 Gas



(S1) S/N:

NOTE(S):
1.) *DIMENSIONS ARE ACROSS HEX FLATS.



CUSTOMER DRAWING



- DRAWING NOT TO SCALE.
- DIMENSIONS ARE INCHES
NEXT TO (MILLIMETERS).
- DRAWING IS SUBJECT TO CHANGE
WITHOUT NOTICE.

DRAWN BY
TWH
5/19/2008

APPROVED BY
CSR-08-04334

TITLE
REDUCING HEX NIPPLE

PART NO.
SS-8-HRNS-4

Swagelok

B.E.S.T. Fluidsysteme GmbH
Leipzig
Gewerbestr. 8
04420 Markranstädt OT Frankenhain
Tel.: +49 (041) 94 54 71-0

LEIPZ-F-000000838-1

Version: A-02

Datum	Bearb.	Name	Blatt
18.11.2014	18.11.2014	P.Westphal	2
	Gepf. 26.11.2014	H. Neugebauer	von
			SW

Die erste Seite der Stückliste beginnt mit der Position 1 !

Pos	Artikel- / Bestell-Nr.	Beschreibung / Auswahl	Zus.-Beschreib.	Material	Halbzeug	Oberfläche	Länge	Lieferant	Menge
1	JS4N2NAT-4	Ventilblock Serie J6 - 4 Ventile		AISI 316				Swagelok	1
2	SS-8-HN	Sechskantnippel - 1/2 Zoll NPT		AISI 316				Swagelok	1
3	SS-8GUF8	Absperrventil Serie GU - 1/2 Zoll NPT		AISI 316				Swagelok	1
4	SS-8-HN-8RS	Sechskantnippel - 1/2 Zoll NPT x ISO 228/1		AISI 316				Swagelok	1
5	SS-6M0-2-8	Winkelleinschraubverschraubung (kegeliges Gewinde) - metrisch 6mm x 1/2" NPT		AISI 316				Swagelok	1
6	PGI-63B-BG250-LASX	Manometer 63mm 0...250 bar, 6mm Rohrstützen	Anschluss unten	AISI 316				Swagelok	1
7	SS-8-HRNS-4	Sechskantnippel - 1/2 Zoll ISO 228/1 Zyl. AG x 1/4 Zoll NPT AG		AISI 316				Swagelok	4

361195/0009

Druckstock PN200 Gas



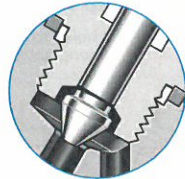
(S1) S/N:



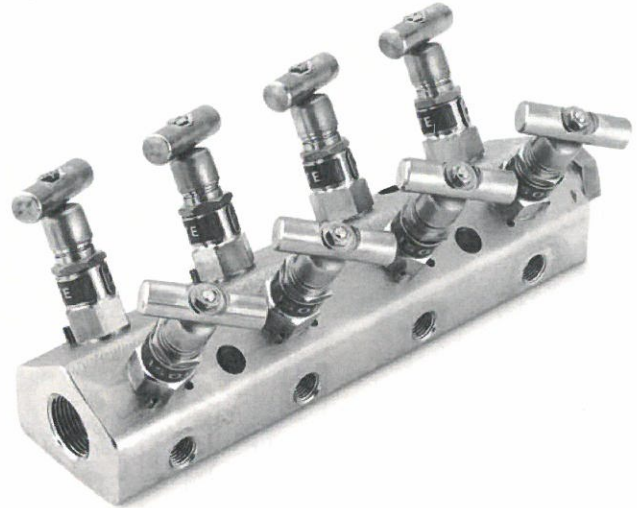
Distribution Manifold

J6 Series

- Extruded stainless steel body rated for 6000 psig (413 bar) working pressure
- Compact, versatile manifold for gas and liquid applications
- Fewer potential leak points than conventional distribution manifolds
- Four to eighteen needle valves and outlet connections
- Mounting holes through the manifold to reduce stress on the piping system



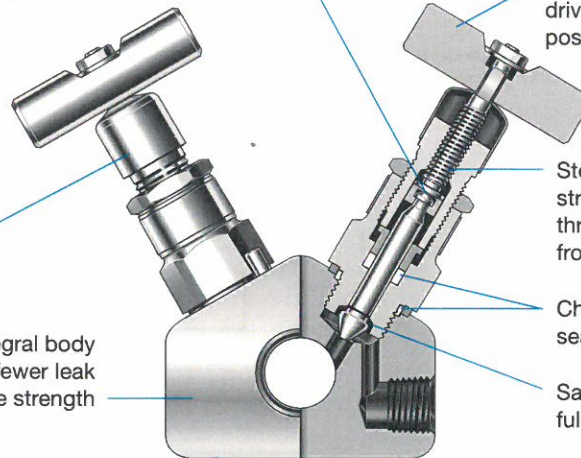
Nonrotating hardened needle for positive shutoff



Two-piece knuckle joint enables nonrotating needle; joint is above packing, protected from system media

Shroud protects stem threads against ingress of dirt and dust

One-piece, integral body for less weight, fewer leak points, and more strength



Stainless steel handle with square drive stem and lock nut to ensure positive actuation

Stem threads are cold rolled for high strength and smooth operation; stem threads above packing are protected from system media

Choice of packing and bonnet seal materials

Safety back-seating needle seals in fully open position

Materials of Construction

Component	Grade/ASTM Specification
<i>Body, bonnets</i>	316/316L SS/A479
<i>Needles</i>	S17400 SS/A564 condition H1150D
<i>Packing, bonnet seals</i>	PTFE or graphite
<i>Lubricant</i>	Molybdenum disulfide in hydrocarbon carrier
Bonnet seal rings, gland nuts, shrouds, stems, glands, handles, handle lock nuts, handle washers, locking pins	316 SS
Gland lock nuts	300 series powdered metal SS

Wetted components listed in *italics*.

Testing

Every valve is hydrostatically tested at ambient temperature.

Options and Accessories

- Flanged inlet connections available
- Antitamper feature available
- Bleed/drain valve available
- Hydrostatic test certificates complete with full chemical and physical material certifications available

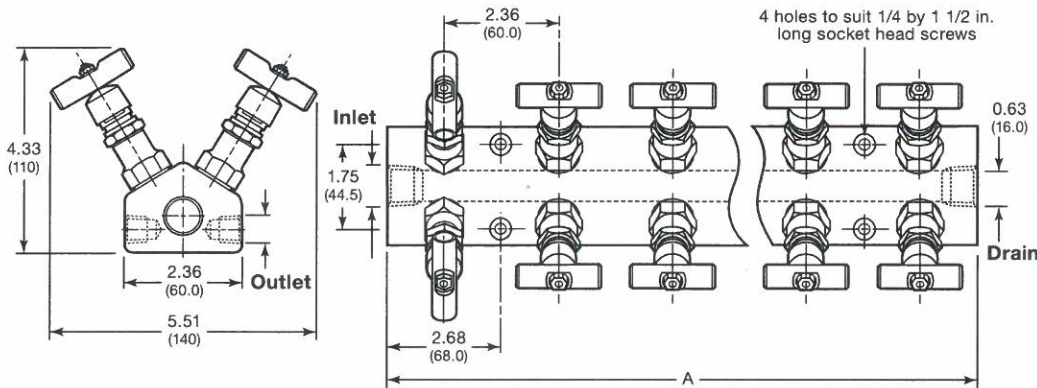
For these and other options and accessories, contact your authorized Swagelok® sales and service representative.

Pressure-Temperature Ratings

End Connection Size, in.	PTFE Seals		Graphite Seals	
	Temperature °F (°C)	Working Pressure psig (bar)	Temperature °F (°C)	Working Pressure psig (bar)
1/2 and 3/4	200 (93)	6000 (413)	200 (93)	6000 (413)
	400 (204)	4000 (275)	850 (454)	3000 (206)
1	200 (93)	3000 (206)	200 (93)	2000 (137)
	400 (204)	2000 (137)	850 (454)	1500 (103)

Ordering Information and Dimensions

Dimensions, in inches (millimeters), are for reference only and are subject to change.

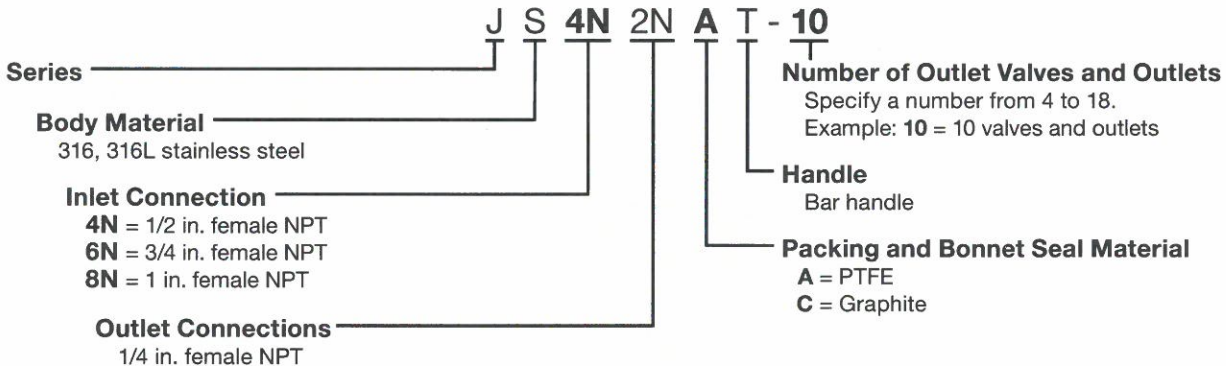


Number of Outlet Connections	A in. (mm)
4	5.35 (136)
6	7.72 (196)
8	10.1 (256)
10	12.4 (316)
12	14.8 (376)
14	17.2 (436)
16	19.6 (496)
18	21.9 (556)

Valve orifice—0.157 in. (4.0 mm)
 Inlet—1/2, 3/4, or 1 in. female NPT
 Outlets—1/4 in. female NPT
 Drain—1/2 in. female NPT

Ordering Number

Build a distribution manifold ordering number by combining the designators in the sequence shown below.



⚠ A packing adjustment may be required periodically to increase service life and to prevent leakage.

⚠ Valves that have not been cycled for a period of time may have a higher initial actuation torque.

⚠ To increase service life, ensure proper valve performance, and prevent leakage, apply only as much torque as is required to achieve positive shutoff.

Safe Product Selection

When selecting a product, the total system design must be considered to ensure safe, trouble-free performance. Function, material compatibility, adequate ratings, proper installation, operation, and maintenance are the responsibilities of the system designer and user.

Caution: Do not mix or interchange parts with those of other manufacturers.

Warranty Information

Swagelok products are backed by The Swagelok Limited Lifetime Warranty. For a copy, visit swagelok.com or contact your authorized Swagelok representative.